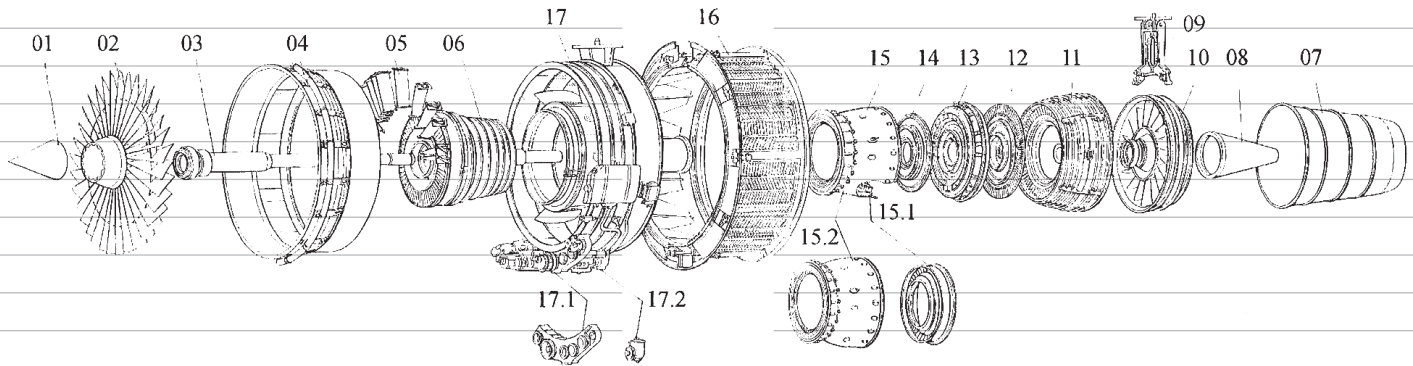




THE TURBINE EFFECT

A quick peek into
ERSTE Foundation

$$e = \frac{mv^2}{2}$$



"...dialogues and discussions are like a turbine in water - it's small, but it can have such a great effect on it's surroundings. We would like to be the turbine."

(Boris Ondrejčka, tranzit.sk)

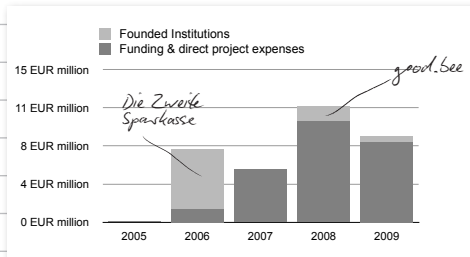
WE ARE ERSTE FOUNDATION.

WE* ARE BASED IN VIENNA BUT ACTIVE ALL OVER CENTRAL AND SOUTH EASTERN EUROPE.

WE OWN 26% OF THE ERSTE GROUP. →

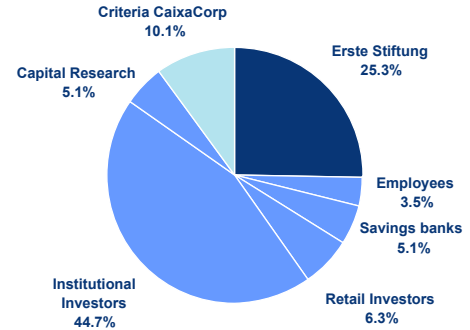
WE WORK WITH THE MONEY WE EARN...

SINCE 2005 WE HAVE INVESTED MORE THAN 30 MILLION EURO INTO CREATING A BETTER FUTURE.



* The ERSTE Foundation team

Erste Group Shareholder Structure by Investor Type:



Total number of shares: 378,176,721
Free float: 64.6%

IT ALL STARTED IN 1819

IN 1819 JOHANN BAPTIST WEBER, A PRIEST
IN THE 2ND DISTRICT OF VIENNA, FOUNDED
AN ASSOCIATION TOGETHER WITH SOME
VOLUNTEERS:

"ERSTE OESTERREICHISCHE SPAR-CASSE"
THE FIRST AUSTRIAN SAVINGS BANK.
HE WAS THE FIRST PERSON TO HIT UPON
THE IDEA OF SOCIAL BANKING.



A YEAR LATER A BOOKLET WAS PUBLISHED
TO SPREAD THIS SMART IDEA. ON PAGE 11
YOU FIND THE FOLLOWING SENTENCE:

"IN DEM BEZIRKE, WO EINE SPAR-CASSE
BESTEHEN WIRD, WIRD ES WEIT WENIGER
ARME GEBEN."

(THERE WILL BE LESS POVERTY
IN DISTRICTS WITH SAVINGS BANKS)



But

Why are we telling you this story?

BECAUSE WE HAVE TO LOOK AT OUR
ROOTS TO UNDERSTAND WHY WE
EXIST.

BECAUSE WE HAVE TO LOOK AT OUR
ROOTS TO UNDERSTAND WHERE WE
WANT TO GO!

SO WHAT WAS THE ATTITUDE?

- * Everyone should have a chance.
- * Face the real problems around you.
- * Create sustainable solutions and implement them in your community.

...AND WHAT WAS THE IDEA?
A FIRST MODEL OF A SAVINGS BANK
OPEN FOR COMMON PEOPLE.

FOR MORE THAN 190 YEARS
THIS THINKING HAS HAD A SYMBOL



1869



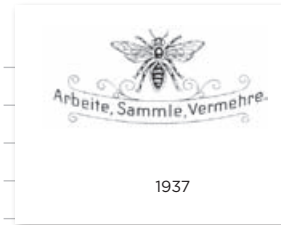
1828



1883



1862



1937



1955



1960

AND IT STILL HAS IT TODAY



ERSTE Stiftung

THE BEE
IS THE SYMBOL FOR ERSTE FOUNDATION
AS IT HAS BEEN THE SYMBOL FOR
"ERSTE OESTERREICHISCHE SPAR-CASSE"
FOR CENTURIES.



BUT IT IS NOT JUST A SYMBOL

* It represents the main shareholder of a financial group with more than 17 million customers in 8 countries.



and...

* It represents the will to change our region into a FAIRER, MORE OPEN and MORE FUTURE-ORIENTED society as a foundation committed to the public good.

IN FACT ERSTE FOUNDATION IS AN
INCUBATOR FOR CHANGE AND AN
"INVESTMENT OFFICE" FOR CIVIL SOCIETY.

EVERY DAY WE DECIDE HOW WE INVEST
OUR MONEY AND WHICH IMPACT OUR
WORK HAS ON SOCIETY.

AND TO DO ALL THAT
WE HAVE A PLAN!

FIRST: WE HAVE A CLEAR FOCUS

* To combat poverty and support societal
transformation: SOCIAL DEVELOPMENT

PROGRAMME

* To stand up for open societies and
enable cultural production: CULTURE

PROGRAMME

* To bring people together and encourage
them to develop common perspectives:

EUROPE PROGRAMME

But most importantly,
WE NEVER STOP LEARNING!

SECOND: WE HAVE OUR GUIDELINES

- * ACTIVE - We take initiative
- * CROSS-BORDER - Our actions have no borders
- * INTERDISCIPLINARY - We think that's the only way to find new solutions
- * NETWORK-ORIENTED - ~~Doing it together~~ *we team up with local partners* makes us stronger
- * SUSTAINABLE - Building new foundations
- * CREATIVE - Think different. Mistakes are possible, we know that.
- * INDEPENDENT - We are free to face the issues that really matter to people.

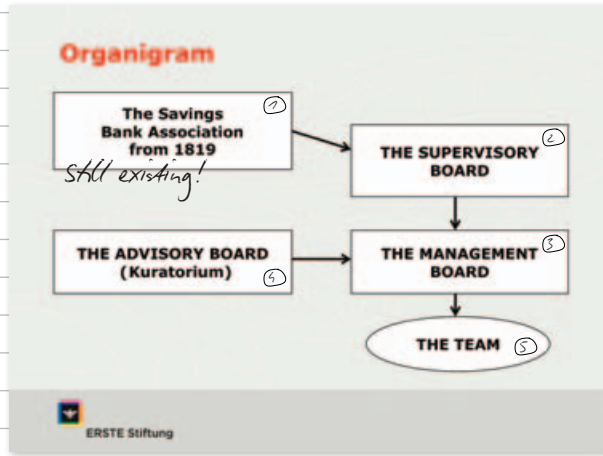
* ACCOUNTABLE: *No hidden agendas and fully transparent in our financials and in our goals*

THIRD: WE HAVE A WORKING MODEL



FOURTH:

WE HAVE A TRANSPARENT* GOVERNANCE



① ELECTS THE MEMBERS AND THE PRESIDENT OF THE SUPERVISORY BOARD, APPROVES THE FUNDING BUDGET.

② APPOINTS THE MEMBERS OF THE MANAGEMENT BOARD, SUPERVISES THE MANAGEMENT OF THE FOUNDATION.

③ RUNS THE FOUNDATION

④ SUPPORTS AND ADVISES THE MANAGEMENT BOARD REGARDING CONTENT-POLICY, PROGRAMMES AND INITIATIVES.

⑤ THE BUSY BEES....

*The Foundation is audited twice each year, internally and by the "Sparkassen-Prüfungsausschuss".

What we do is documented. Check it out on our website and in our annual reports.

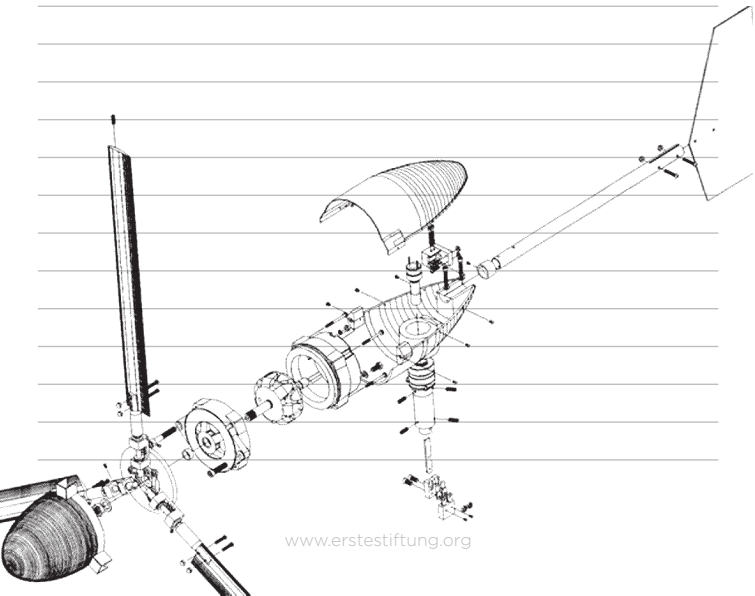
DO YOU REMEMBER THIS?

$$e = \frac{mv^2}{2}$$

THIS IS THE FORMULA TO CALCULATE THE ENERGY PRODUCED BY A TURBINE

"A turbine is a rotary engine that extracts energy from a fluid or air flow and converts it into useful work."

NOW REPLACE THE WORD "TURBINE"
WITH "FOUNDATION"
AND "FLUID OR AIR FLOW"
WITH "MONEY".



USEFUL WORK

—
LET'S HAVE A LOOK...

20,000 KIDS FROM 15 COUNTRIES ARE WORKING TO CREATE A BETTER FUTURE IN EUROPE.

THIS IS WHY ERSTE FOUNDATION FOUNDED THE ACADEMY FOR CENTRAL EUROPEAN SCHOOLS.



aces | Academy of Central European Schools

www.aces.or.at

JASMINA & DJURDJICA FOUNDED AN NGO CALLED "LA STRADA OPEN GATE" TO FIGHT AGAINST HUMAN TRAFFICKING

THEY WON THE ERSTE FOUNDATION AWARD FOR SOCIAL INTEGRATION 2009!



 ERSTE Foundation Award for Social Integration

www.socialintegration.org

25 RESEARCHERS FROM THE BALTIC TO THE CAUCASUS COLLECTED KNOWLEDGE ABOUT GENDER IN FORMER COMMUNIST COUNTRIES.



THE MUSEUMS OF MODERN ART IN VIENNA AND WARSAW HOSTED THE BIGGEST EXHIBITION OF EASTERN EUROPEAN ART (400 ARTWORKS, 200 ARTISTS)

www.gender-check.at

5 DIRECTORS, 6 CAMERAMEN, 190 DAYS OF SHOOTING MORE THAN 400 HOURS OF FOOTAGE ABOUT A REGION NOBODY REALLY KNOWS.



BROADCAST IN MORE THAN 8 COUNTRIES, ATTRACTING 4 MILLION VIEWERS AND WINNING 3 INTERNATIONAL AWARDS.

www.erstestiftung.org/balkan-express

Most probably
a 5th will follow
soon.

ACROSS 4 COUNTRIES, TOGETHER WITH
LOCAL BRAINS, WE CREATED NEW
MEMBERS OF CIVIL SOCIETY TO ENHANCE
LOCAL INFRASTRUCTURE FOR CREATIVITY.

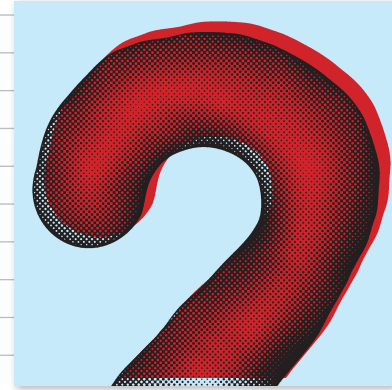


TRANZIT, THE NETWORK OF AUTONOMOUS
INITIATIVES IN CONTEMPORARY ART IN
CEE.

www.tranzit.org

WE INVENTED A WHOLE NEW WAY OF
MAKING BANKING SERVICES ACCESSIBLE
TO THOSE WHO WERE EXCLUDED FROM
THE SYSTEM.

ZWEITE SPARKASSE, THE BANK FOR
THE UNBANKABLE IN AUSTRIA.



Die Zweite
SPARKASSE 

www.erstestiftung.org/zweite-sparkasse

BASED ON THE EXPERIENCE OF ZWEITE SPARKASSE WE CREATED A NEW PLATFORM FOR THE UNBANKED IN CEE:



THE MICROFINANCE AND SOCIAL ENTREPRENEURSHIP INITIATIVE OF ERSTE FOUNDATION AND ERSTE GROUP.

good.bee
Financial Services. Simple. Human. For all.

WE THINK ALL COUNTRIES IN EUROPE SHOULD BELONG TO THE EUROPEAN UNION. WE ARE NOT ALONE. TOGETHER WITH THREE OTHER FOUNDATIONS WE FOUNDED THE EUROPEAN FUND FOR THE BALKANS (EFB).



Our partners are



Robert Bosch Stiftung

European Fund for the Balkans

Bringing the Western Balkans closer to the European Union

THE EFB'S PROGRAMMES:
ENVISIONING EUROPE, PRACTICING EUROPE,
EXPERIENCING EUROPE, DEVELOPING
POLICIES.

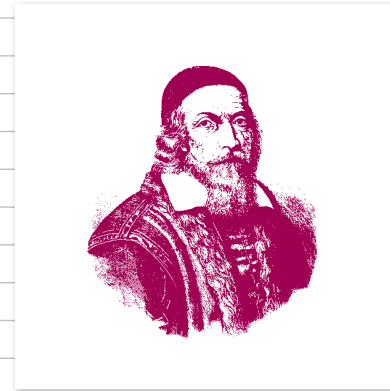
THERE ARE ALREADY 3,000 BOOKS IN OUR LIBRARY (and still growing)
OPEN DAILY FROM 9 AM TO 5 PM
(BY APPOINTMENT)



www.erstestiftung.org/Library

IN THE 17TH CENTURY
JAN AMOS KOMENSKÝ SAID:

"OMNES, OMNIA, OMNINO.
TEACH EVERYTHING IN DEPTH
TO EVERYONE"



KomenskýFond

WITH THE KOMENSKÝFOND WE HELP MORE THAN 5,000 PEOPLE EVERY YEAR WHO CAN NOT AFFORD ACCESS TO EDUCATION AND TRAINING.

www.erstestiftung.org/komenskyfond

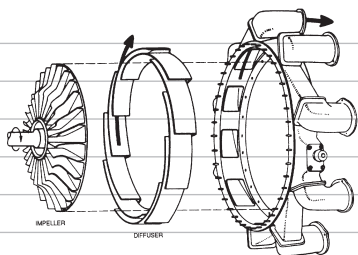
THESE ARE 10 PROJECTS OUT OF MORE THAN 200 WE ARE CURRENTLY PUTTING OUR PASSION AND ENERGY INTO.

... AND EVEN IF OUR STORY STARTED MORE THAN 190 YEARS AGO WE ARE JUST AT THE BEGINNING OF OUR JOURNEY WITH MORE ENTHUSIASM THAN EVER.

WHAT WE DO IS CHALLENGING, WE KNOW THAT! BUT WE ALSO KNOW THAT TO REALLY SUCCEED OUR RECIPE NEEDS A VERY SPECIAL ADDITIONAL INGREDIENT...

YOU!

So WHAT WOULD YOU CHANGE?



[www.ERSTESTIFTUNG.ORG](http://www.erstestiftung.org)

office@erstestiftung.org

Phone from Austria
050 100 15100

Phone from abroad
+43 50 100 15100

Imprint
©2010 ERSTE Stiftung
Friedrichstraße 10,
1010 Vienna, Austria
www.erstestiftung.org



ERSTE Stiftung

www.erstestiftung.org

Social Development,
Culture, Europe

www.erstestiftung.org



ERSTE Stiftung